

# Pin & Slat

## STANDARD FEATURES

- Manufactured in USA
- **Tray and Tray-less application**
- UHMW guides support the belt on the top and bottom side
- All 304 stainless steel construction with a #4 finish
- Slats are joined with 1/4" diameter pin with 1,866 lbs. of breaking strength. Slats are made of LF – Actual Polymer
- Belt wash system with removable scrap basket
- TEFC 1/2 horsepower drive motor with IP65 listing
- Stainless steel drip pans run the length of the belt to catch any falling debris
- Adjustable speed control through AC inverter in a NEMA 4 control cabinet
- Long runs available on single drive motor, however multiple drives can be used to increase the distance traveled
- Unit supported on 1-5/8" diameter 16 gauge wall polished stainless steel tubular legs with *fully welded* 1-5/8" cross bracing
- Multiple belt colors available
- Low Amp draw – requires only 15 Amp breaker with 208/60/1
- **Exclusive Bi-Line design**

**PS107** – Single 7.5" Belt  
**PS110** – Single 10" Belt  
**PS112** – Single 12" Belt  
**PS207** – Dual 7.5" Belt  
**PS210** – Dual 10" Belt



## SPECIFIER STATEMENT

Every system is designed, built and tested by the same team, ensuring the highest quality. The Bi-Line Pin and Slat Belt utilizes a linked pin design that is great for straight run tray-less applications. UHMW plastic guides increase the belt and tabling's life, while a standard belt wash system will help keep the belt clean. A variable speed control is standard in a NEMA 4 rated control panel.

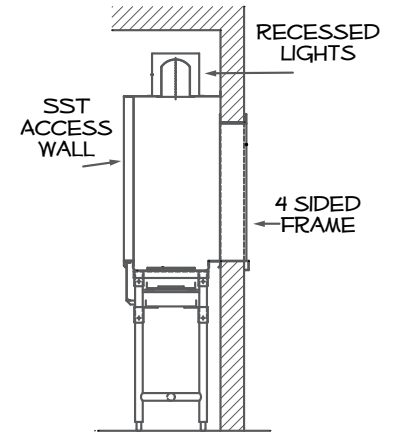
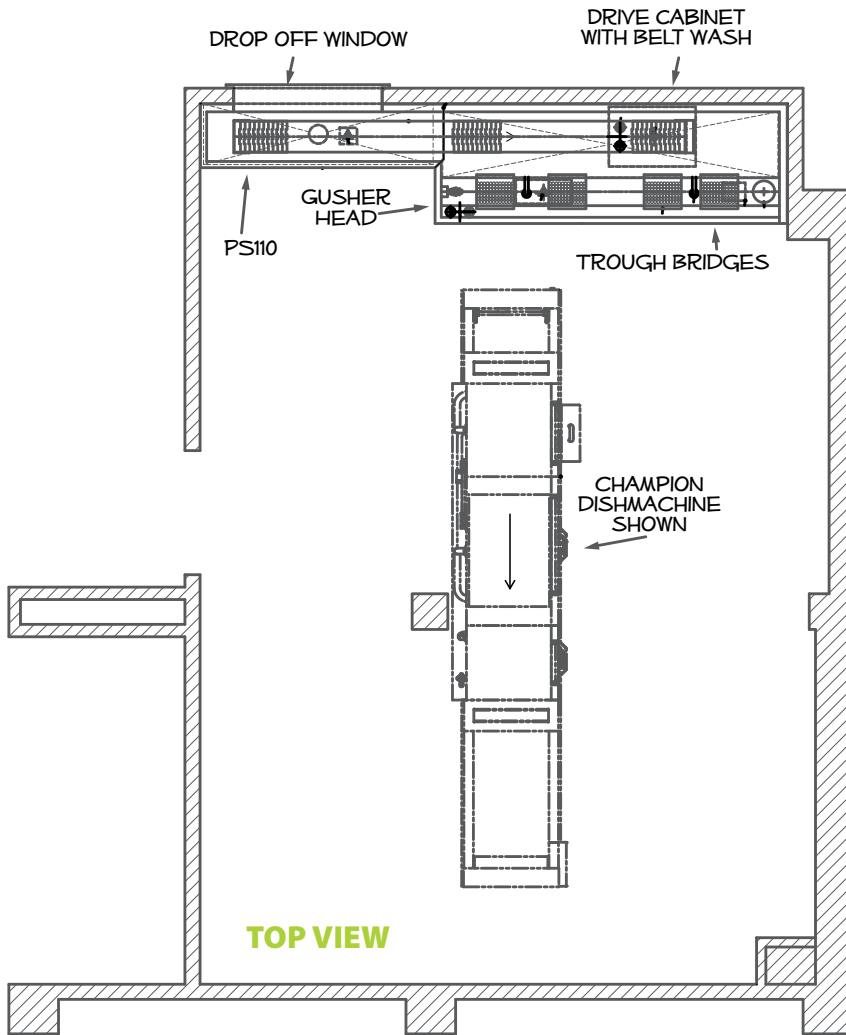
## EXCLUSIVE BELT DESIGN

Our pin and slat belt is designed for tray or tray-less applications. The pinned slats create a flat surface ideal for loose ware. This belt design is excellent for drop off windows or bussing conveyors. The belt also has increased breaking strength of over 1,000 lbs.

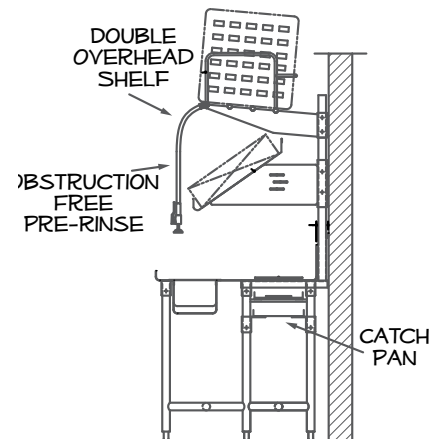
PS107 – Single 7.5" Belt  
 PS110 – Single 10" Belt  
 PS112 – Single 12" Belt

PS207 – Dual 7.5" Belt  
 PS210 – Dual 10" Belt

## PIN & SLAT SHOWN IN EXAMPLE DROP OFF LAYOUT



### SIGHT SOUND BARRIER DROP OFF



### SIDE VIEW

Note: Dimensions are custom to order  
 Custom P/E drawings are done for each system

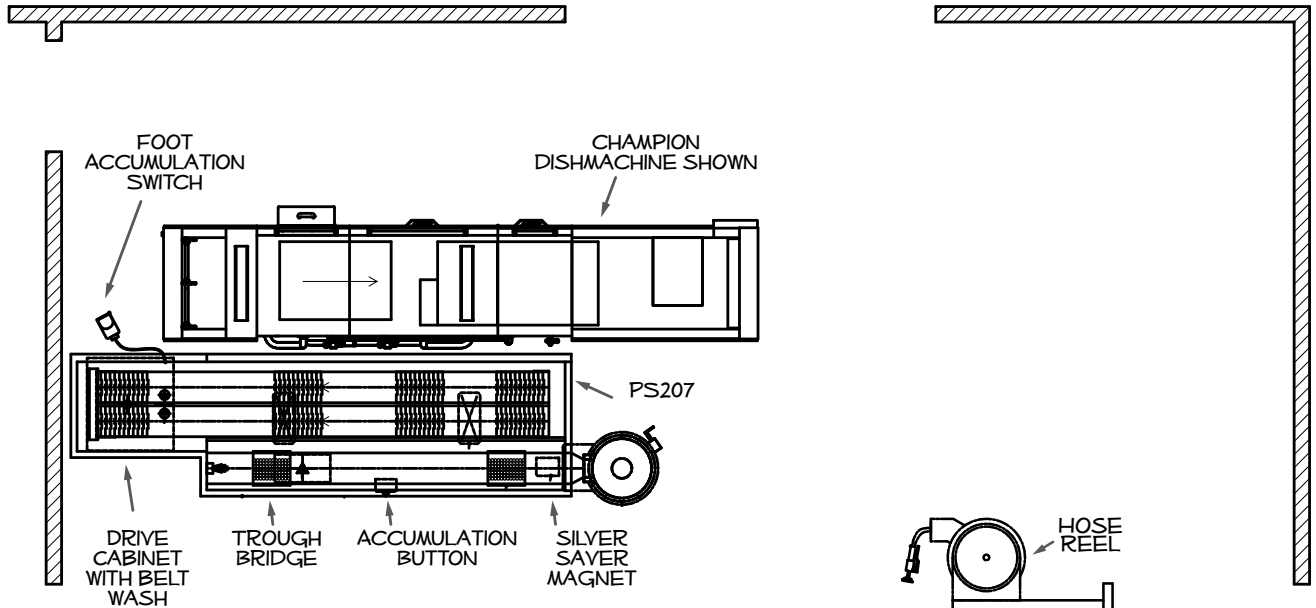
### TYPICAL FULL LOAD AMPS SHOWN

Voltage	Rated Amps	Minimum Supply Ckt. Conductor Ampacity	Maximum Overcurrent Protective Device
208-240/60/1	5	15	15
208-240/60/3	4	15	15
480/60/3	2	15	15
120/60/1	5	15	15

Subject to change on P/E.

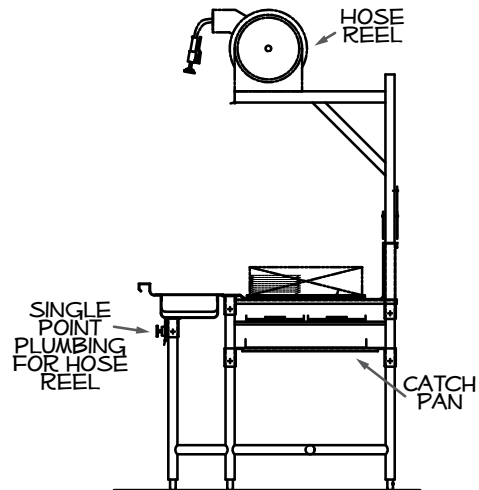


## PIN & SLAT SHOWN IN BUSING CONVEYOR DESIGN



**TOP VIEW**

Note: Dimensions are custom to order  
Custom P/E drawings are done for each system



**SIDE VIEW**

### TYPICAL FULL LOAD AMPS SHOWN

Voltage	Rated Amps	Minimum Supply Ckt. Conductor Ampacity	Maximum Overcurrent Protective Device
208-240/60/1	5	15	15
208-240/60/3	4	15	15
480/60/3	2	15	15
120/60/1	5	15	15

Subject to change on P/E.

## OPTIONS & ACCESSORIES

- Custom size and shape per plan
- Single over-shelf
- Double over-shelf
- Hip/Palm advance button
- Foot advance switch
- Integral trough
- Mobile tables
- Pre-rinse sink with rinse spray
- Sliding work shelves
- Limit switch – mechanical
- Limit switch – photo eye
- Seismic bolt down feet
- Extra length of belt
- Mobile soak sink
- Laminated or stainless steel panels for exposed belt at customer drop off
- Sight and sound barrier with recessed lights
- Skate wheels (for trough)
- Wash down hose with reel
- Trough magnets
- Trough bridges
- Disposer cover for trough
- Obstruction free pre-rinse stations
- Trough, silver saver, sink



**Pin & Slat belt with UHMW guides**



**PS110 belt return support**



**Control panel with variable speed control**